

## VZ 250 - 400



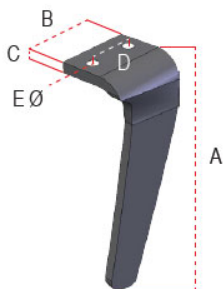
### Standard Equipment

- 3 points ISO universal hitch with 2nd category oscillating fork (pins of 2nd/3rd cat)
- One speed central gearbox 540'/540' eco mod. Vigolo A8, 2 pto (VZ 250)
- One speed central gearbox 540' eco/1000' mod. Vigolo G7, 2 pto (VZ 300÷400)
- Double body transmission structure
- Transmission body by case-hardened and hardened gears
- Endplates with height-adjustable shock absorber
- Rear levelling blade
- Lateral rear roller adjustment by pins
- Side stiffening braces (VZ 300÷400)
- Arrangement for seeder coupler (ASM and ASI N)
- Arrangement for quick-changing tines
- Cardan shaft with disk clutch (tractor side fork 1" 3/8 Z6)
- EC guard kit

### VIGOLO Srl Unipersonale

Dir. e Coord. di Vigolo Flavio Holding Srl Unipersonale  
Via dell'Industria, 27/A  
36045 Alonte (VI) - ITALY  
Tel. +39 0444 436247  
Fax +39 0444 436237  
[www.vigolo.com](http://www.vigolo.com) - [info@vigolo.com](mailto:info@vigolo.com)

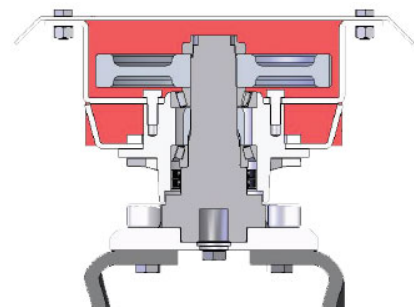
A	330	mm
B	110	mm
C	15	mm
D	66	mm
E Ø	16,5	mm



240



Cuscinetti conici a rulli a bagno d'olio  
Oil-immersed Tapered roller bearings  
Ölbad Kegelrollerlager  
Roulements coniques à bain d'huile



Mod.	Diagram		HP min - max	N°	540°		540° ECO	540° - 1000°	kg	kg	kg	kg	kg
	Lavoro	Ingombro			540°	1000°							
VZ 250	2530	2545	80-160	10	340	-	472	280 - 510	910	1010	1110	1160	1210
VZ 300	2980	2995	100-200	12	-	395	472	280 - 510	1200	1310	1380	1470	1520
VZ 350	3460	3500	120-200	14	-	395	472	280 - 510	1390	1440	1570	1660	1720
VZ 400	4005	4055	130-200	16	-	395	472	280 - 510	1580	1570	1760	1840	1910

## VIGOLO Srl Unipersonale

Dir. e Coord. di Vigolo Flavio Holding Srl Unipersonale  
Via dell'Industria, 27/A  
36045 Alonte (VI) - ITALY  
Tel. +39 0444 436247  
Fax +39 0444 436237  
www.vigolo.com - info@vigolo.com